

SPXO

SG-3030JC

SEIKO EPSON CORPORATION

Product name SG-3030JC 32.768000 kHz B
 Product Number / Ordering code Q3102JC020001xx

Please refer to the 8.Packing information about xx (last 2 digits)

Output waveform CMOS
 Complies with EU RoHS directive
 Reference weight Typ. 239 mg

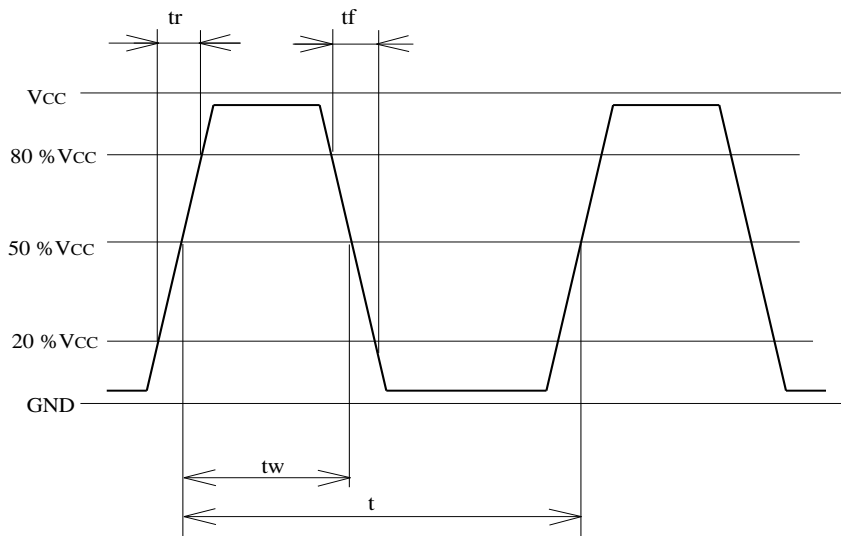
1.Absolute maximum ratings

Parameter	Symbol	Min.	Typ.	Max.	Unit	Conditions / Remarks
Maximum supply voltage	V _{cc-GND}	-0.3	-	7	V	V _{cc} Pin
Storage temperature	T _{stg}	-55	-	125	°C	Storage as single product

2.Specifications(characteristics)

Parameter	Symbol	Min.	Typ.	Max.	Unit	Conditions / Remarks
Output frequency	f ₀	-	32.7680	-	kHz	-
Supply voltage	V _{cc}	1.5	-	5.5	V	V _{cc} Pin
Interface power supply voltage	V _{IO}	1.5	-	5.5		V _{IO} Pin
Operating temperature	T _{use}	-40	-	85	°C	No condensation
Frequency tolerance	f _{tol}	-18	-	28	x10 ⁻⁶	@+25°C, V _{cc} =3.3V, 5+/-23x10 ⁻⁶
Frequency temperature coefficient	f ₀ -T _c	-120	-	10	x10 ⁻⁶	-20°C to 70°C (+25°C is reference)
Frequency voltage coefficient	f ₀ -V _{cc}	-2	-	2	x10 ⁻⁶ /V	@+25°C V _{cc} =1.5V to 5.5V
Current consumption	I _{cc}	-	-	2	mA	V _{cc} =3.3V No load condition
Symmetry	SYM	45	50	55	%	1/2V _{cc} (V _{IO}) Level
Output voltage	V _{OH}	V _{IO} -0.4	-	-		I _{OH} =-400μA
	V _{OL}	-	-	GND+0.4		I _{OL} =400μA
Output load condition	L _{CMOS}	-	-	15	pF	CMOS Load
Input voltage	V _{IH}	80%V _{cc}	-	-		-
	V _{IL}	-	-	20%V _{cc}		-
Rise time	t _r	-	-	200	ns	20%V _{IO} ⇄ 80%V _{IO} 15pF V _{IO} =1.5V to 5.5V
Fall time	t _f	-	-	200	ns	20%V _{IO} ⇄ 80%V _{IO} 15pF V _{IO} =1.8V to 5.5V
Start-up time	t _{str}	-	-	1	ms	V _{cc} =2.0V to 5.5V
Frequency aging	f _{age}	-5	-	5	x10 ⁻⁶	@+25°C V _{cc} =3.3V First year

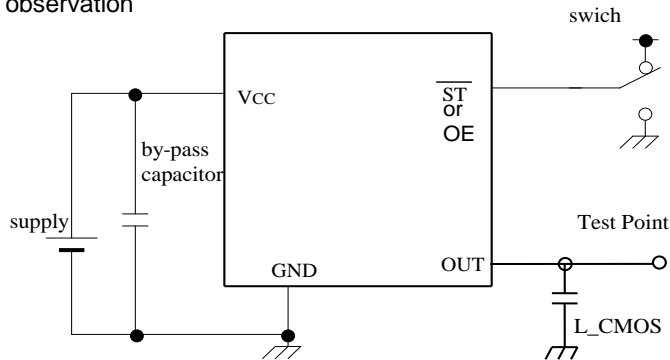
3.Timing chart



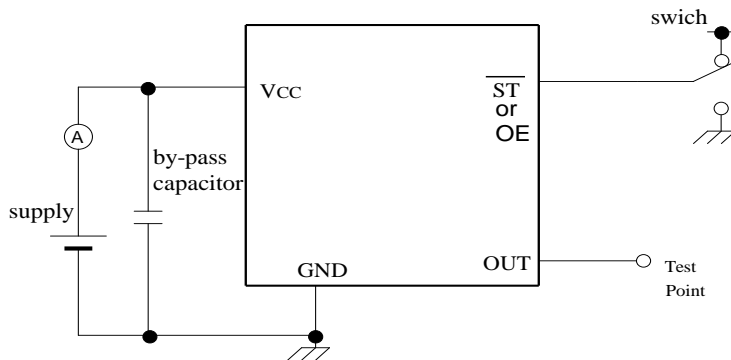
SEIKO EPSON CORPORATION

4. Test circuit

1) Waveform observation



2) Current consumption



*Current consumption under the disable function should be = GND.

3) Condition

(1) Oscilloscope

- Band width should be minimum 5 times higher (wider) than measurement frequency.
- Probe earth should be placed closely from test point and lead length should be as short as possible.

* Recommendable to use miniature socket. (Don't use earth lead.)

(2) L_CMOS also includes probe capacitance.

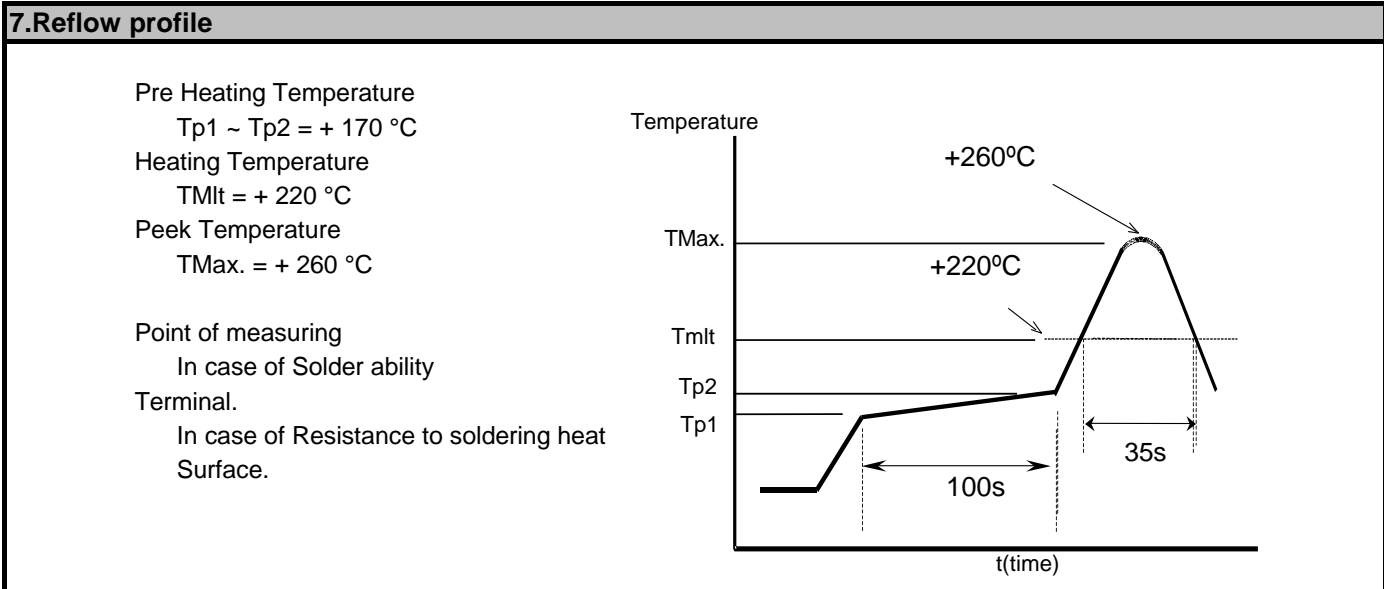
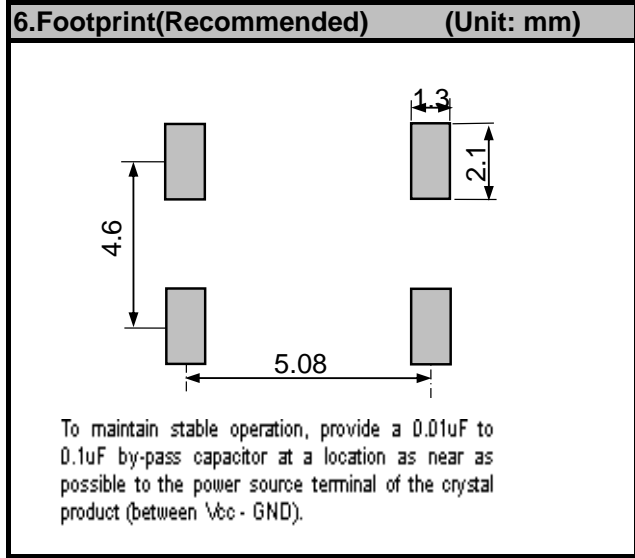
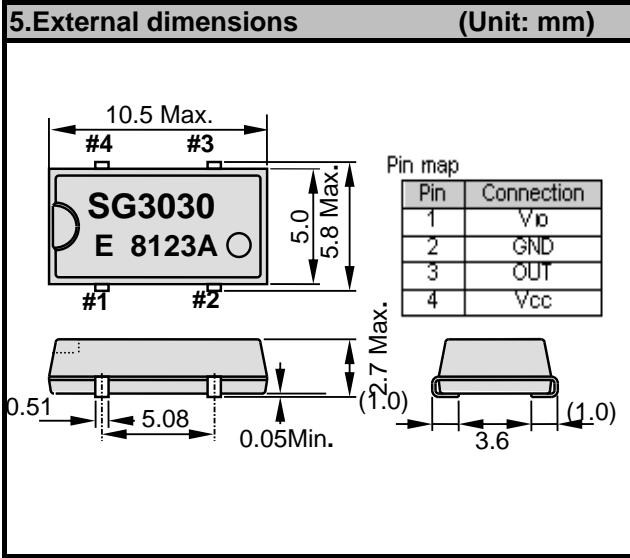
(3) By-pass capacitor (0.01 mF to 0.1 mF) is placed closely between VCC and GND.

(4) Use the current meter whose internal impedance value is small.

(5) Power supply

- Start up time (0 %VCC @ 90 %VCC) of power source should be more than 150 ms.
- Impedance of power supply should be as lowest as possible.

SEIKO EPSON CORPORATION



8.Packing information

[1]Product number last 2 digits code(xx) description The recommended code is "00"

Q3102JC020001xx

Code	Condition	Code	Condition
01	Any Q'ty vinyl bag(Tape cut)	13	500pcs / Reel
11	Any Q'ty / Reel	00	1000pcs / Reel
12	250pcs / Reel		

SEIKO EPSON CORPORATION

[2] Taping specification

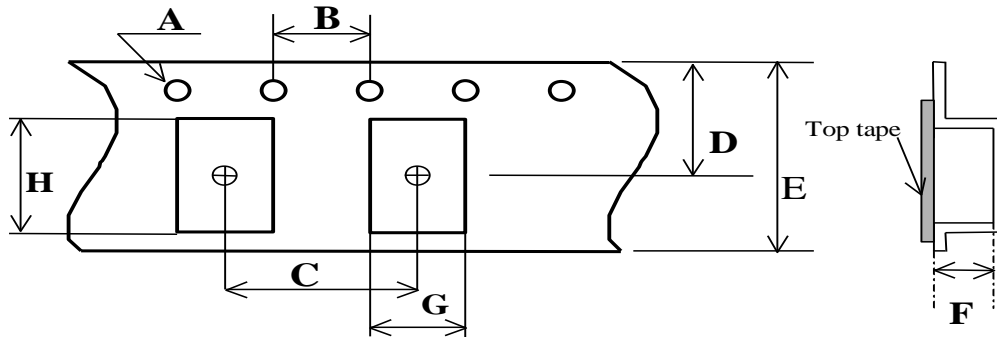
Subject to EIA-481 & IEC-60286

(1) Tape dimensions

Material of the Carrier Tape : PS

Material of the Top Tape : PET+PE

Unit: mm

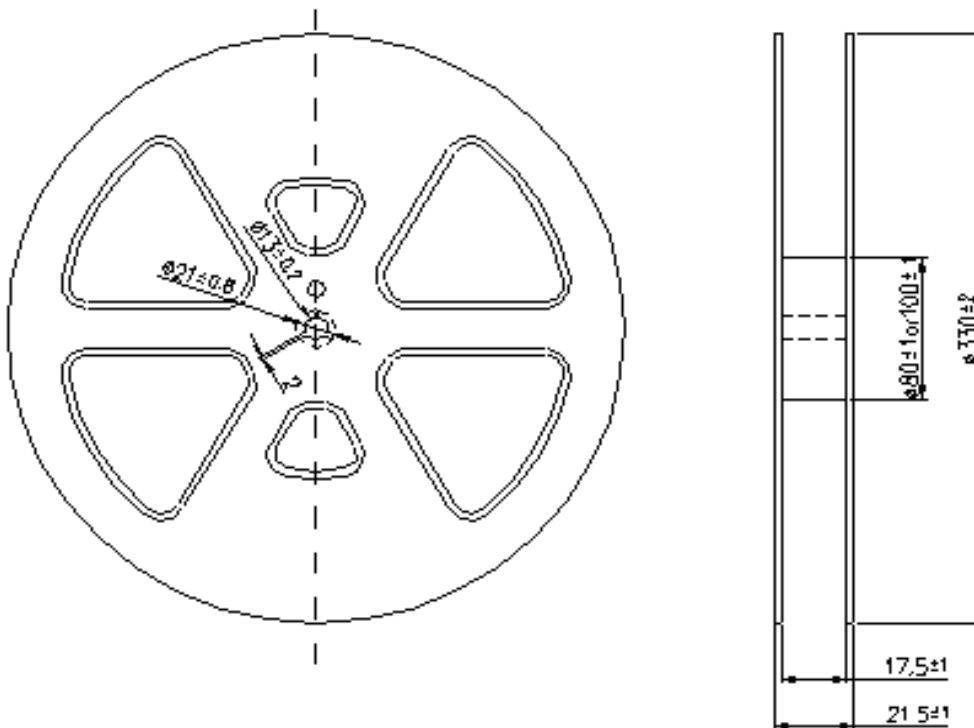


Symbol	A	B	C	D	E	F	G	H
Value	$\phi 1.5$ $+0.1/0$	4 ± 0.1	8 ± 0.1	9.25 ± 0.1	16 ± 0.3	3 ± 0.1	6.3 ± 0.1	10.8 ± 0.1

(2) Reel dimensions

Center material : PS

Material of the Reel : PS



SEIKO EPSON CORPORATION

9. Notice

- This material is subject to change without notice.
- Any part of this material may not be reproduced or duplicated in any form or any means without the written permission of Seiko Epson.
- The information about applied data, circuitry, software, usage, etc. written in this material is intended for reference only.
Seiko Epson does not assume any liability for the occurrence of customer damage or infringing on any patent or copyright of a third party.
This material does not authorize the licensing for any patent or intellectual copyrights.
- When exporting the products or technology described in this material, you should comply with the applicable export control laws and regulations and follow the procedures required by such laws and regulations.
- You are requested not to use the products (and any technical information furnished, if any) for the development and/or manufacture of weapon of mass destruction or for other military purposes. You are also requested that you would not make the products available to any third party who may use the products for such prohibited purposes.
- These products are intended for general use in electronic equipment. When using them in specific applications that require extremely high reliability, such as the applications stated below, you must obtain permission from Seiko Epson in advance.
 - / Space equipment (artificial satellites, rockets, etc.)
 - / Transportation vehicles and related (automobiles, aircraft, trains, vessels, etc.)
 - / Medical instruments to sustain life
 - / Submarine transmitters
 - / Power stations and related
 - / Fire work equipment and security equipment
 - / Traffic control equipment
 - / And others requiring equivalent reliability.